



9 CU. FT. PIZZA PREP TABLE

KCPT50.6 - 738013



Fin & Tube Condenser improves performance in high temperature environments

Automatic Defrost Cooling System provides worry-free performance

1/4 HP Compressor

Stainless Steel Exterior & Interior Electronic Control

Removable Door Gaskets

Holds 1/3 Pans

Adjustable Shelves Vinyl-Coated Steel

Self-Closing Doors with 90-degree stay-open feature

Heavy Duty Casters

Insulated Lid maintains food freshness



TECHNICAL SPECIFICATIONS

MODEL	KCPT50.6
Product Line	Pizza Prep Table
Capacity (Cu. Ft.)	9.0
Condenser Type	Fin & Tube
Automatic Defrost Cooling System	Yes
Compressor Horsepower	1/4
Exterior Finish	Stainless Steel (430)
Interior Finish	Stainless Steel (304)
Cutting Board Dimensions (HxWxD)	.79x50x19.5
Pan Allocation	(6) 1/3
Shelves (Number/Type)	1/Vinyl-Coated Steel
Control	Electronic
Temperature Display Location	External
Temperature Range	32 to 50°F
Voltage Rating	115V/60Hz
Run Amps	9.8
Plug Type	NEMA 5-15P
Shipping Weight (Lbs.)	331
Warranty	3 Year/5 Year



Electronic Digital Temperature Control

Quick set digital control and display for easy monitoring.



Stainless Steel Interior

Durable and easy to clean for daily commercial use.



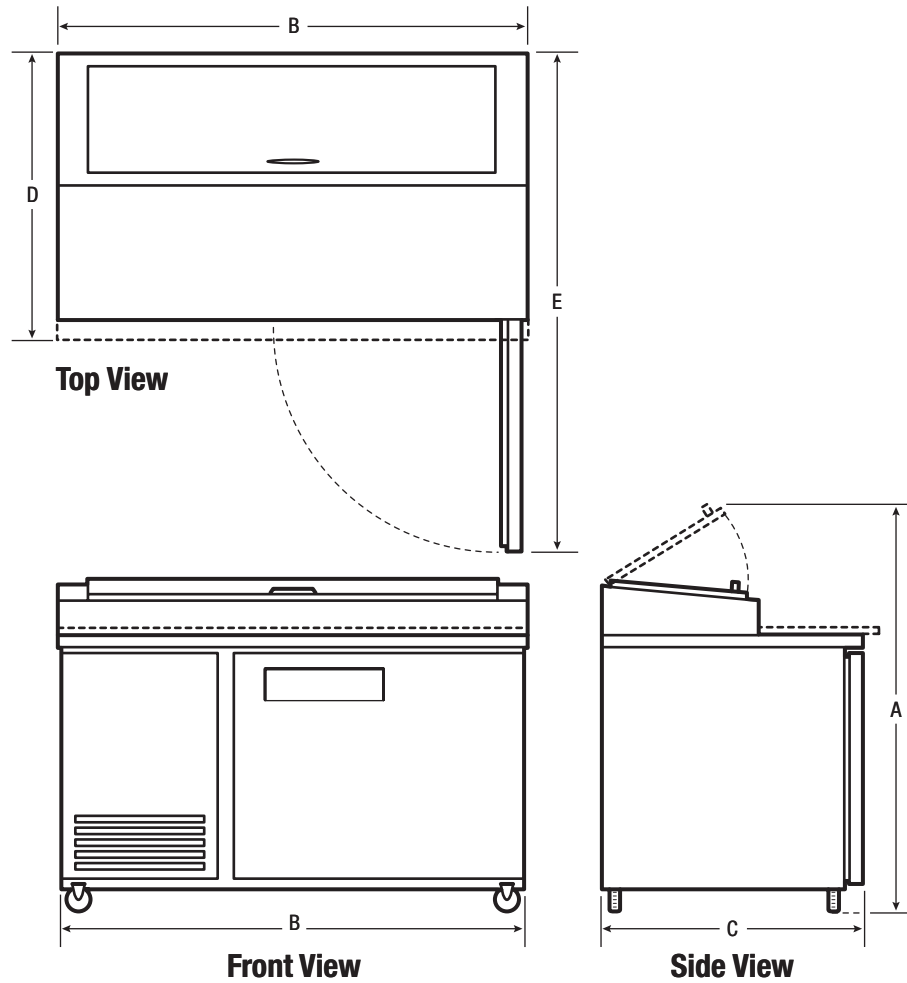
Full-Depth Cutting Boards

Preparation area designed for work station convenience and safe food handling.



9 CU. FT. PIZZA PREP TABLE

KCPT50.6



Plug Type (NEMA)
5-15P

EXTERIOR DIMENSIONS

Height with Lid Open (w/ Casters) A	56-3/4"
Width B	50"
Depth (Including Door & Handle) C	31-1/4"
Overall Depth (Including Cutting Board) D	37-3/4"
Depth (with Door 90° Open) E	61"

CERTIFICATIONS AND APPROVALS

Safety Certification	ETL
Sanitation Certification	ETL

POPULAR PARTS

Shelf	5304493484
Shelf Clip	297121900
Pan Divider (End)	5304493482
Pan Divider (Middle)	5304493481
Cutting Board	5304497353



USA • 10200 David Taylor Drive • Charlotte, NC 28262 • 1-866-738-1640 • kelvinator.com
CANADA • 5855 Terry Fox Way • Mississauga, ON L5V 3E4

KCPT50.6 11/15

© 2015 Electrolux Home Products, Inc.

High standards of quality at Electrolux Home Products, Inc. mean we are constantly working to improve our products. We reserve the right to change specifications or discontinue models without notice.