



24 CU. FT. GLASS DOOR MERCHANDISER

KCGM24R - 738008

REFRIGERATOR



Fin & Tube Condenser improves performance in high temperature environments

Automatic Defrost Cooling System provides worry-free performance

1/3 HP Compressor

Painted Steel/Painted Aluminum Exterior & Interior

Mechanical Control

Removable Door Gasket

Adjustable Shelves Vinyl-Coated Steel

Self-Closing Swing Door

Heavy-Duty Casters Included



TECHNICAL SPECIFICATIONS

MODEL	KCGM24R
Product Line	Refrigerator
Door(s)/Type	1 Door Swing
Capacity (Cu. Ft.)	24.0
Condenser Type	Fin & Tube
Automatic Defrost Cooling System	Yes
Compressor Horsepower	1/3
Exterior Finish	Painted Steel
Interior Finish	Painted Aluminum
Shelves (Number/Type)	4/Vinyl-Coated Steel
Control	Mechanical
Temperature Range	32 to 50°F
Voltage Rating	115V/60Hz
Run Amps	8.6
Plug Type	NEMA 5-15P
Shipping Weight (Lbs.)	363
Warranty	3 Year/5 Year



Mechanical Control

Select temperatures as required.



Vinyl Heavy Duty Adjustable Shelves

Shelves that are easy to handle and keep clean.



Removable Door Gasket

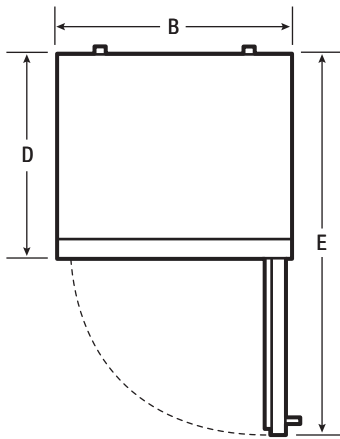
User replaceable door gasket for easy replacement and cleaning.



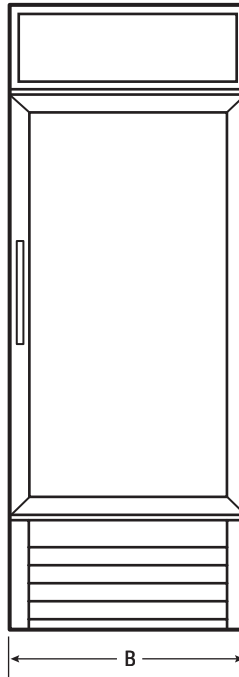
24 CU. FT. GLASS DOOR MERCHANDISER

KCGM24R

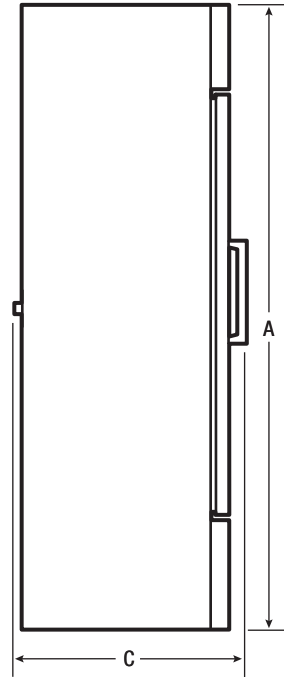
REFRIGERATOR



Top View



Front View



Side View



Plug Type (NEMA)
5-15P

EXTERIOR DIMENSIONS

Height A (Including Casters)	84"
Width B	28"
Overall Depth (Including Door & Handle) C	33-5/16"
Cabinet Depth D	31-5/16"
Depth (with Door 90° Open) E	58-1/2"

CERTIFICATIONS AND APPROVALS

Safety Certification	ETL
Sanitation Certification	ETL

POPULAR PARTS

Shelf	5304493131
Shelf Clip	297121900



USA • 10200 David Taylor Drive • Charlotte, NC 28262 • 1-866-738-1640 • kelvinator.com
CANADA • 5855 Terry Fox Way • Mississauga, ON L5V 3E4

KCGM24R 11/15

© 2015 Electrolux Home Products, Inc.

High standards of quality at Electrolux Home Products, Inc. mean we are constantly working to improve our products. We reserve the right to change specifications or discontinue models without notice.